

REP	N° DAK	DESCRIPTION	QTE
1	07.000945-C	CHAUFFE EAU SOLAIRE 302-20_V19	1
2	07.002661-C	KIT SUP TR1 CESI 302-20_V19	1

REVISIONS		
REV	DESCRIPTION	DATE
		xx/xx/20xx



Informations contained in this drawing are the sole properties of DAK INDUSTRIES. Reproduction in part or whole without the written permission is prohibited.

LINEAR DIMENSIONS ARE IN MILLIMETERS.
ANGULAR DIMENSIONS ARE IN DEGREES.
GENERAL TOLERANCES ACCORDING TO:
-

MATERIAL :
-

FINISH :
-

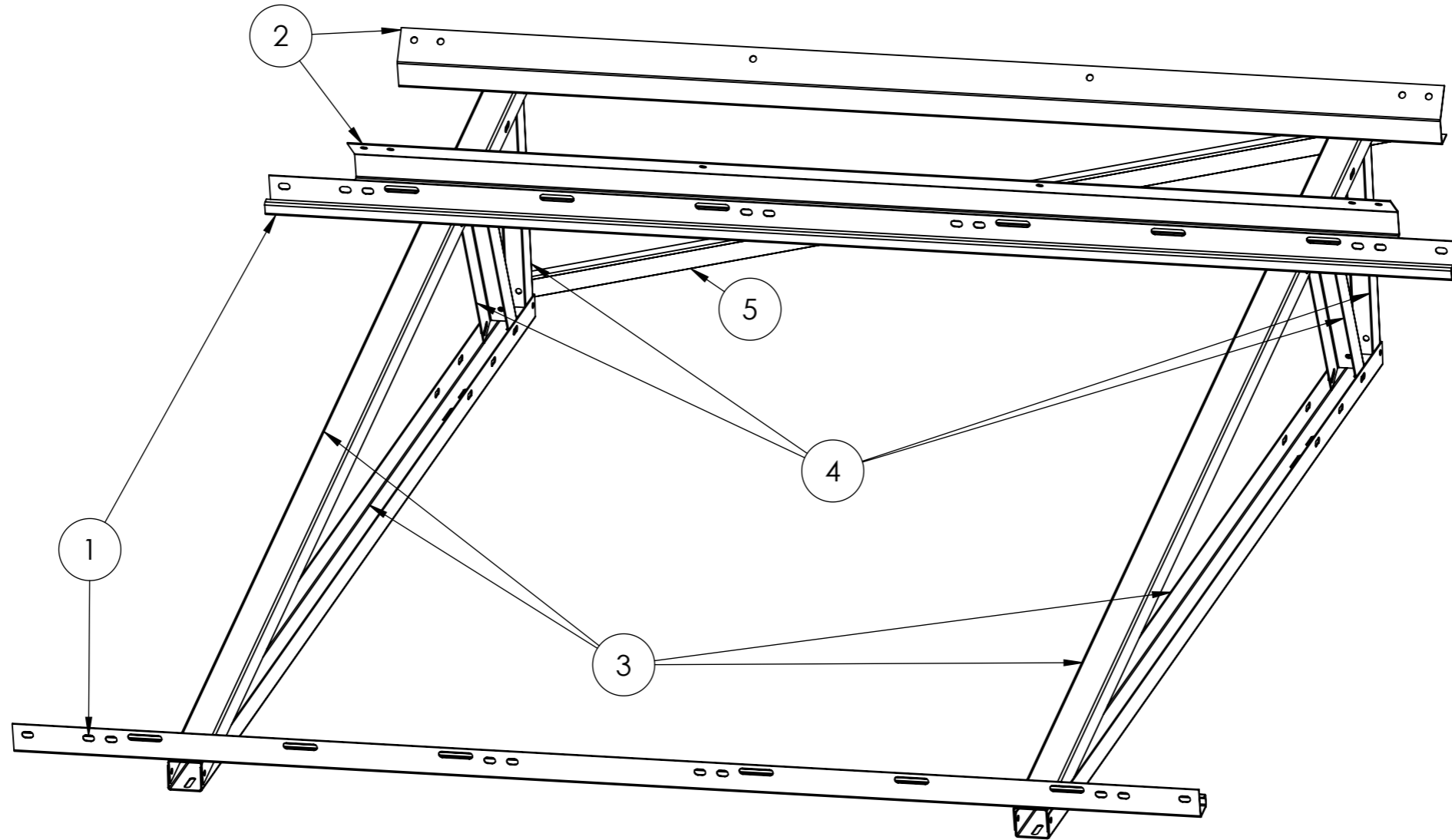
WEIGHT : 153 Kg

NAME : CESI 302-20_V19 TR1 GT9007

	NAME	DATE & SIGNATURE
DESIGNER	J.BRIARD	
CHECKER	F.MYKIETA	
METHODS	E.JEFFREDO	

SCALE : 1:15
SIZE : A3
CREATION DATE : 04/12/2020

N° DAK INDUSTRIES REVISION :
07.002767 - C
STATUS : STANDARD



REP	N° DAK	DESCRIPTION	QTE
1	07.001712-C	TRAVERSE SUPPORT CAPTEUR 2100	2
2	07.000149-C	TRAVERSE SUPPORT BALLON 300L	2
3	07.000360-C	LONGERON TR LG2500	4
4	07.001671-C	PIEDS AR BRACON 10°	4
5	07.000482-C	DEMI CROISILLON LG1720	1

REVISIONS		
REV	DESCRIPTION	DATE
		xx/xx/20xx

DAK
INDUSTRIES

Informations contained in this drawing are the sole properties of DAK INDUSTRIES. Reproduction in part or whole without the written permission is prohibited.

LINEAR DIMENSIONS ARE IN MILLIMETERS.
ANGULAR DIMENSIONS ARE IN DEGREES.
GENERAL TOLERANCES ACCORDING TO:
-

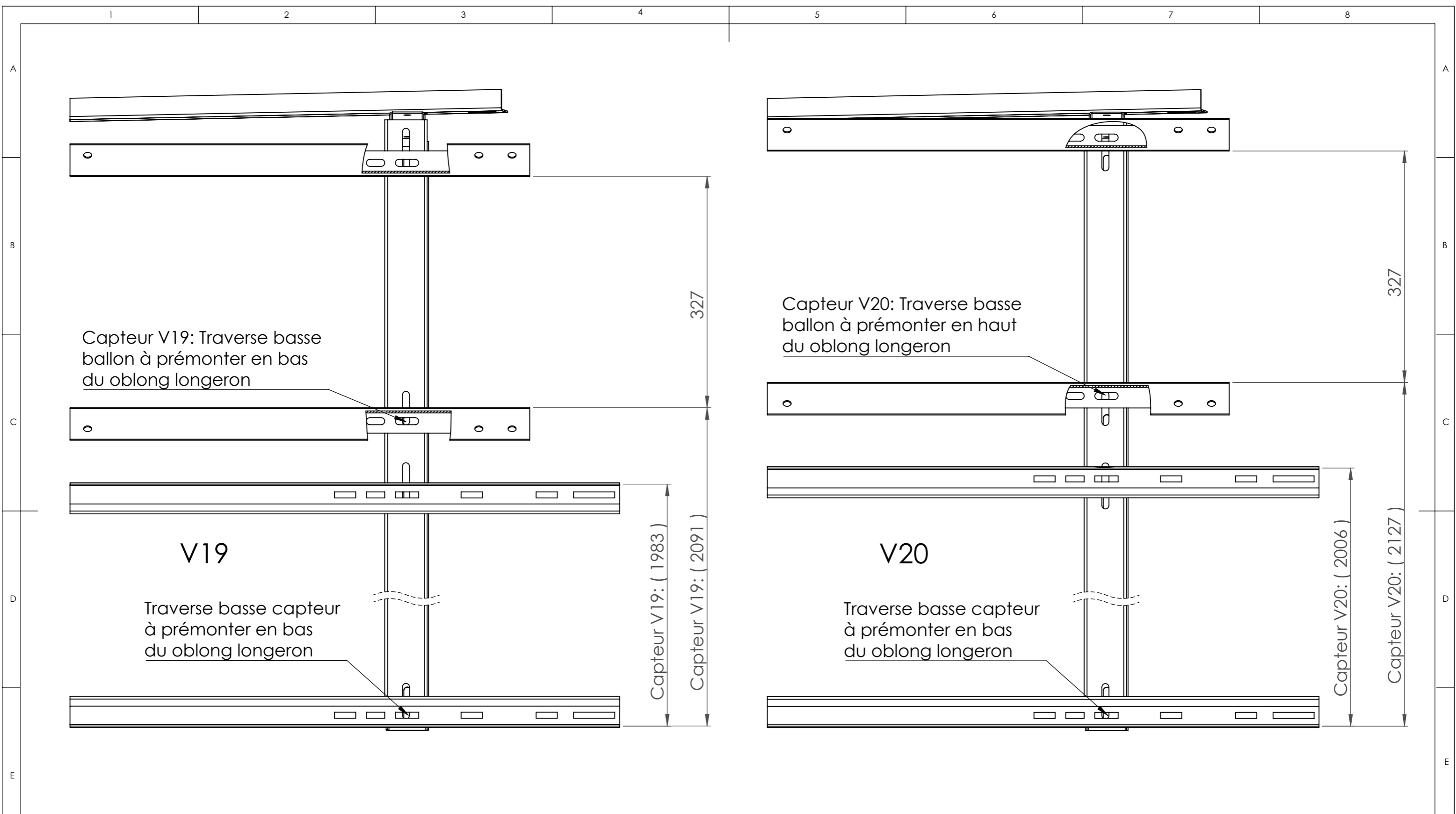
MATERIAL :
-

FINISH :
-

WEIGHT : 45 Kg

NAME : KIT SUP TR1 CESI 302-20_V19

NAME	DATE & SIGNATURE
DESIGNER J.BRIARD	
CHECKER F.MYKIETA	
METHODS E.JEFFREDO	
SCALE : 1:10	N° DAK INDUSTRIES REVISION : 07.002661 - C
SIZE : A3	
CREATION DATE : 03/12/2020	STATUS : STANDARD
PAGE: 1/3	



REVISIONS		
REV	DESCRIPTION	DATE
		xx/xx/20xx

DAK INDUSTRIES

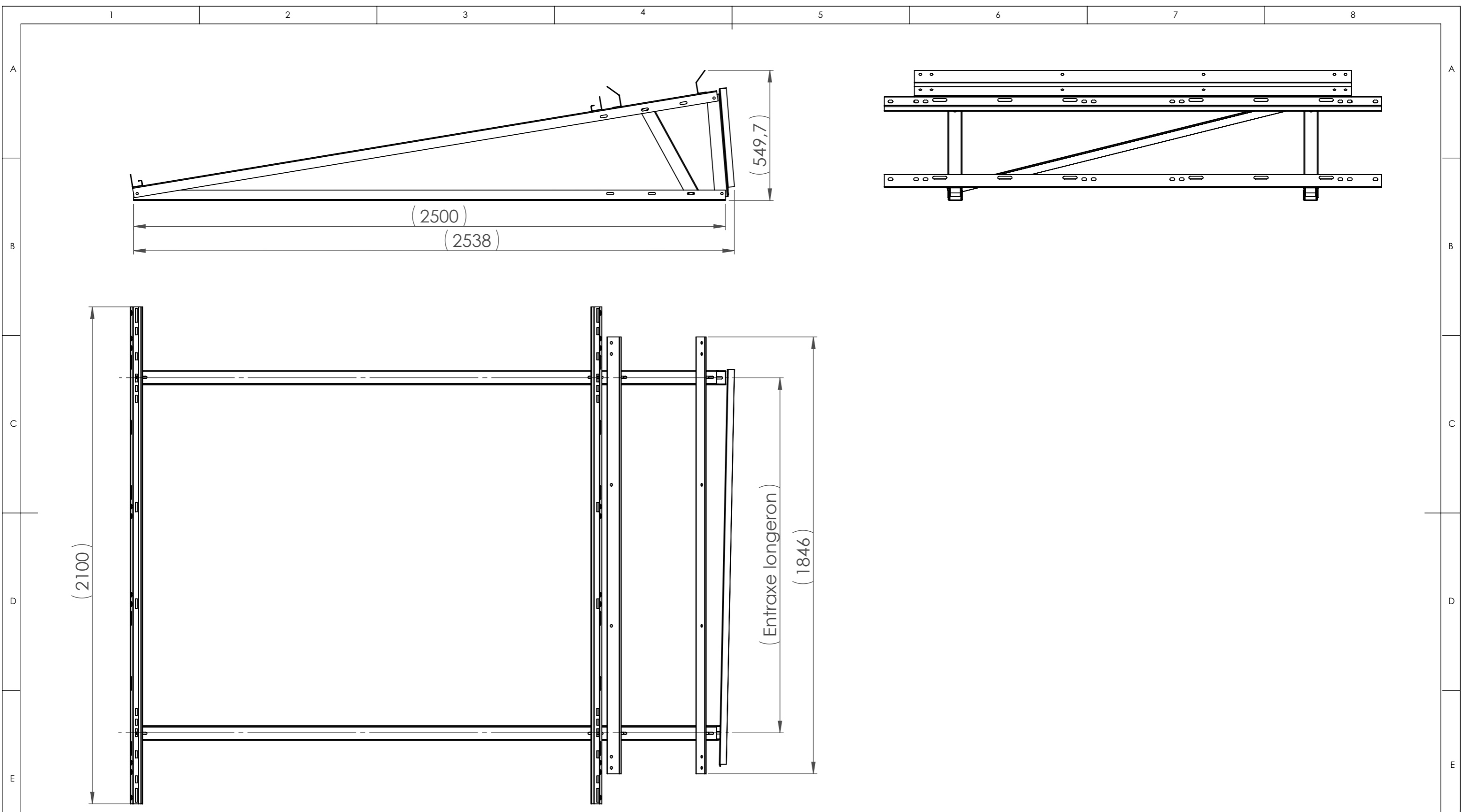
Informations contained in this drawing are the sole properties of DAK INDUSTRIES. Reproduction in part or whole without the written permission is prohibited.

LINEAR DIMENSIONS ARE IN MILLIMETERS. ANGULAR DIMENSIONS ARE IN DEGREES. GENERAL TOLERANCES ACCORDING TO:

MATERIAL : - FINISH : -

WEIGHT : 45 Kg NAME : KIT SUP TR1 CESI 302-20_V19

NAME	DATE & SIGNATURE
DESIGNER J.BRIARD	
CHECKER F.MYKIETA	
METHODS E.JEFFREDO	
SCALE : 1:5 SIZE : A3	N° DAK INDUSTRIES REVISION : 07.002661 - C STATUS : STANDARD
CREATION DATE : 03/12/2020	
PAGE: 2/3	



REVISIONS		
REV	DESCRIPTION	DATE
		xx/xx/20xx

DAK INDUSTRIES

Informations contained in this drawing are the sole properties of DAK INDUSTRIES. Reproduction in part or whole without the written permission is prohibited.

LINEAR DIMENSIONS ARE IN MILLIMETERS.
 ANGULAR DIMENSIONS ARE IN DEGREES.
 GENERAL TOLERANCES ACCORDING TO:
 -

MATERIAL :
 -

FINISH :
 -

	NAME	DATE & SIGNATURE
DESIGNER	J.BRIARD	
CHECKER	F.MYKIETA	
METHODS	E.JEFFREDO	

SCALE : 1:15

SIZE : A3

CREATION DATE :
 03/12/2020

N° DAK INDUSTRIES REVISION :

07.002661 - C

STATUS : STANDARD