

REP	N° DAK	DESCRIPTION	QTE
1	07.002222-C	CAPTEUR FOX AL 20 2020	3
2	07.002154	KIT RACCORD 3 CAPTEURS FX20	1

REVISIONS		
REV	DESCRIPTION	DATE
		xx/xx/20xx

DAK INDUSTRIES

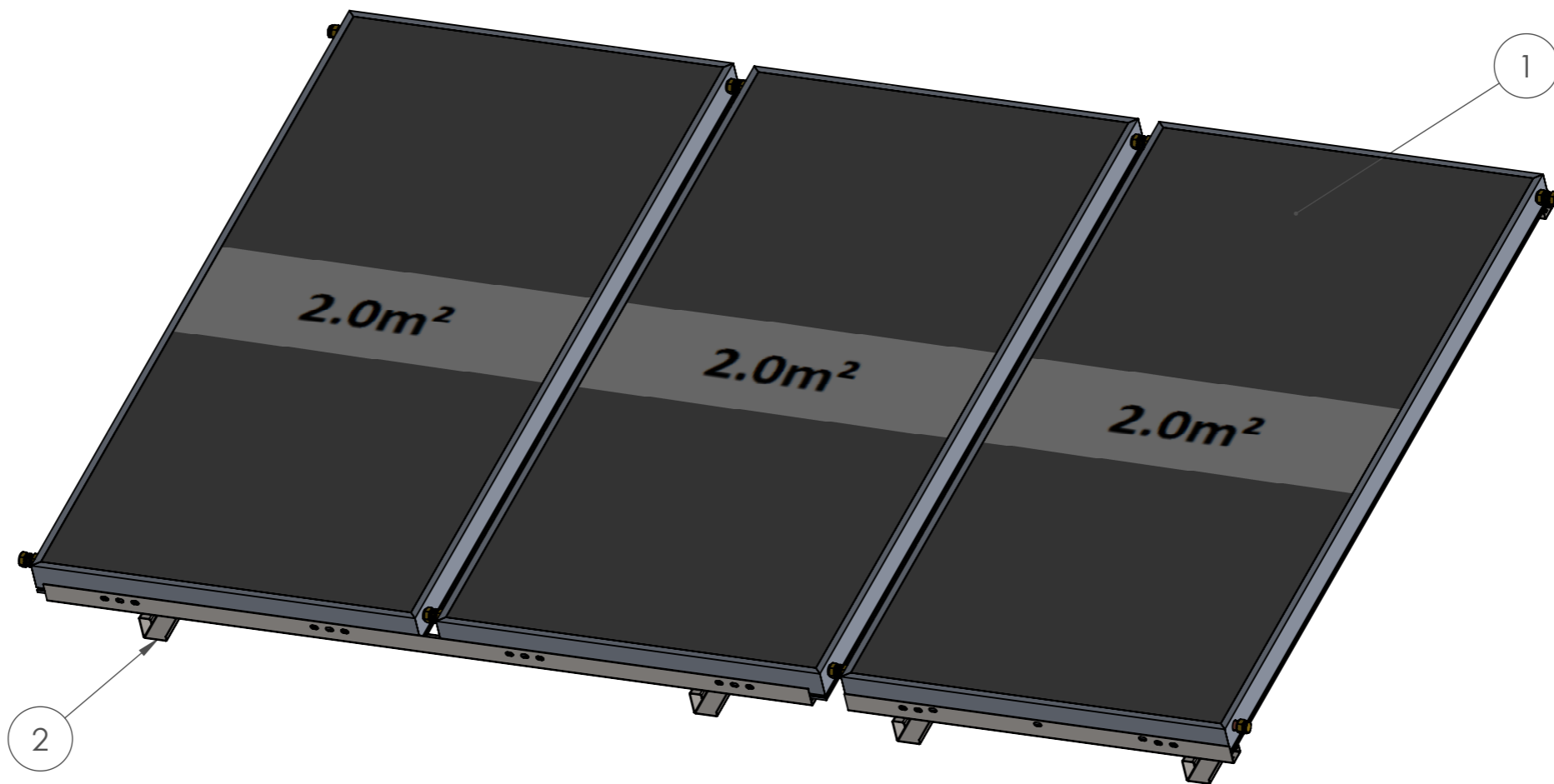
Informations contained in this drawing are the sole properties of DAK INDUSTRIES. Reproduction in part or whole without the written permission is prohibited.

LINEAR DIMENSIONS ARE IN MILLIMETERS. ANGULAR DIMENSIONS ARE IN DEGREES. GENERAL TOLERANCES ACCORDING TO:

MATERIAL : - FINISH : -

WEIGHT : 96 Kg NAME : KIT CAPTEUR 003-20_V20

NAME	DATE & SIGNATURE
DESIGNER J.BRIARD	
CHECKER F.MYKIETA	
METHODS A.CHAN	
SCALE : 1:15 SIZE : A3 CREATION DATE : 03/02/2022	N° DAK INDUSTRIES REVISION : 07.002830 - C STATUS : STANDARD
	PAGE: 1/1



REP	N° DAK	DESCRIPTION	QTE
1	07.002830-C	KIT CAPTEUR 003-20_V20	1
2	07.002840-C	KIT 003-20_V20 PT	1

Centrer en largeur les capteurs sur la structure.

REVISIONS		
REV	DESCRIPTION	DATE
		xx/xx/20xx



Informations contained in this drawing are the sole properties of DAK INDUSTRIES. Reproduction in part or whole without the written permission is prohibited.

LINEAR DIMENSIONS ARE IN MILLIMETERS. ANGULAR DIMENSIONS ARE IN DEGREES. GENERAL TOLERANCES ACCORDING TO: ±20mm

MATERIAL :
-

FINISH :
-

	NAME	DATE & SIGNATURE
DESIGNER	J.BRIARD	
CHECKER	F.MYKIETA	
METHODS	A.CHAN	

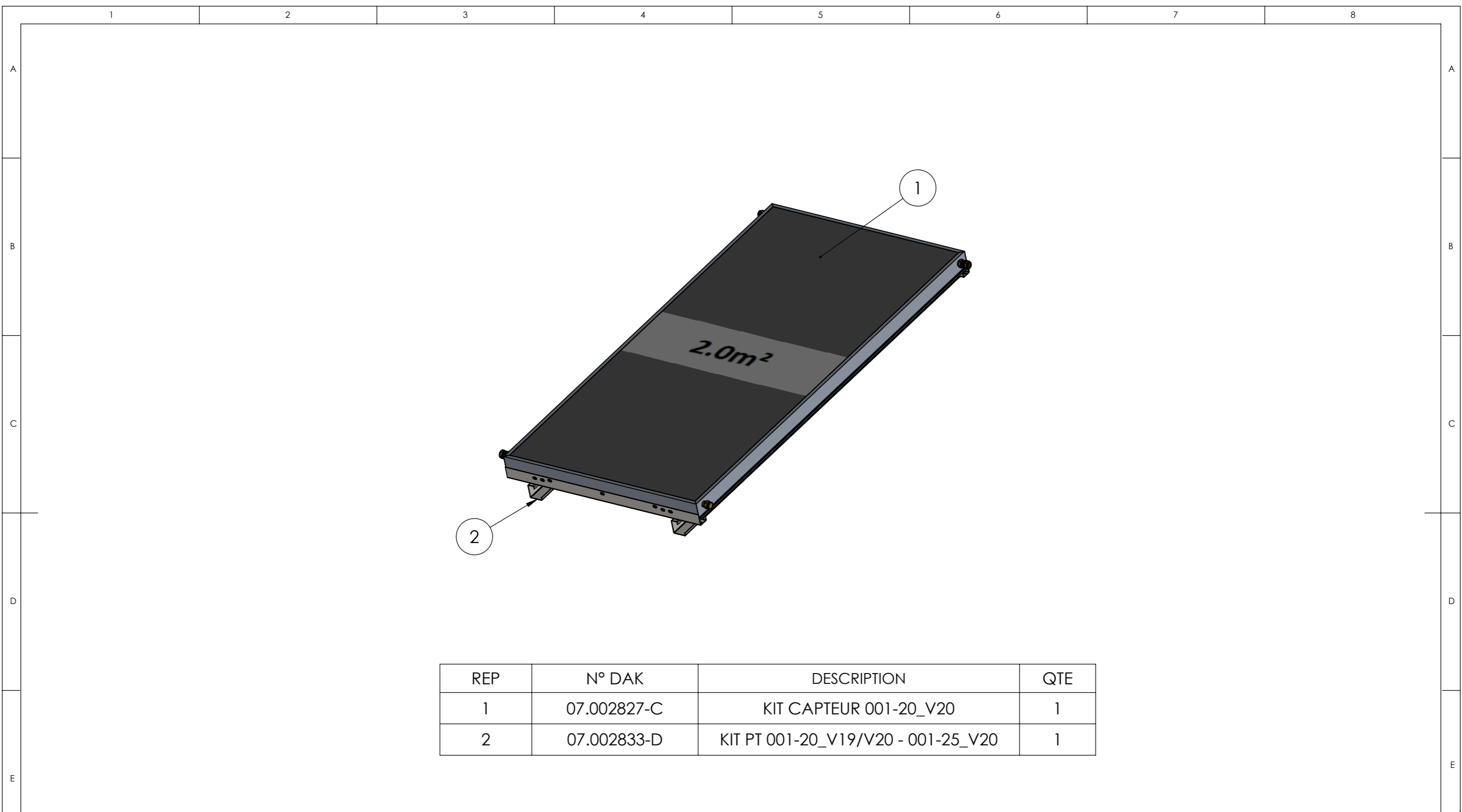
SCALE : 1:15
SIZE : A3
CREATION DATE : 03/02/2022

N° DAK INDUSTRIES REVISION :
07.002849 - C
STATUS : STANDARD

WEIGHT : 130 Kg

NAME : CESC 003-20_V20 PT

PAGE: 1/1



REP	N° DAK	DESCRIPTION	QTE
1	07.002827-C	KIT CAPTEUR 001-20_V20	1
2	07.002833-D	KIT PT 001-20_V19/V20 - 001-25_V20	1

REVISIONS		
REV	DESCRIPTION	DATE
D	07.002833-D était 07.002833-C	11/06/2021

DAK INDUSTRIES

Informations contained in this drawing are the sole properties of DAK INDUSTRIES. Reproduction in part or whole without the written permission is prohibited.

LINEAR DIMENSIONS ARE IN MILLIMETERS. ANGULAR DIMENSIONS ARE IN DEGREES. GENERAL TOLERANCES ACCORDING TO:

MATERIAL : - FINISH : -

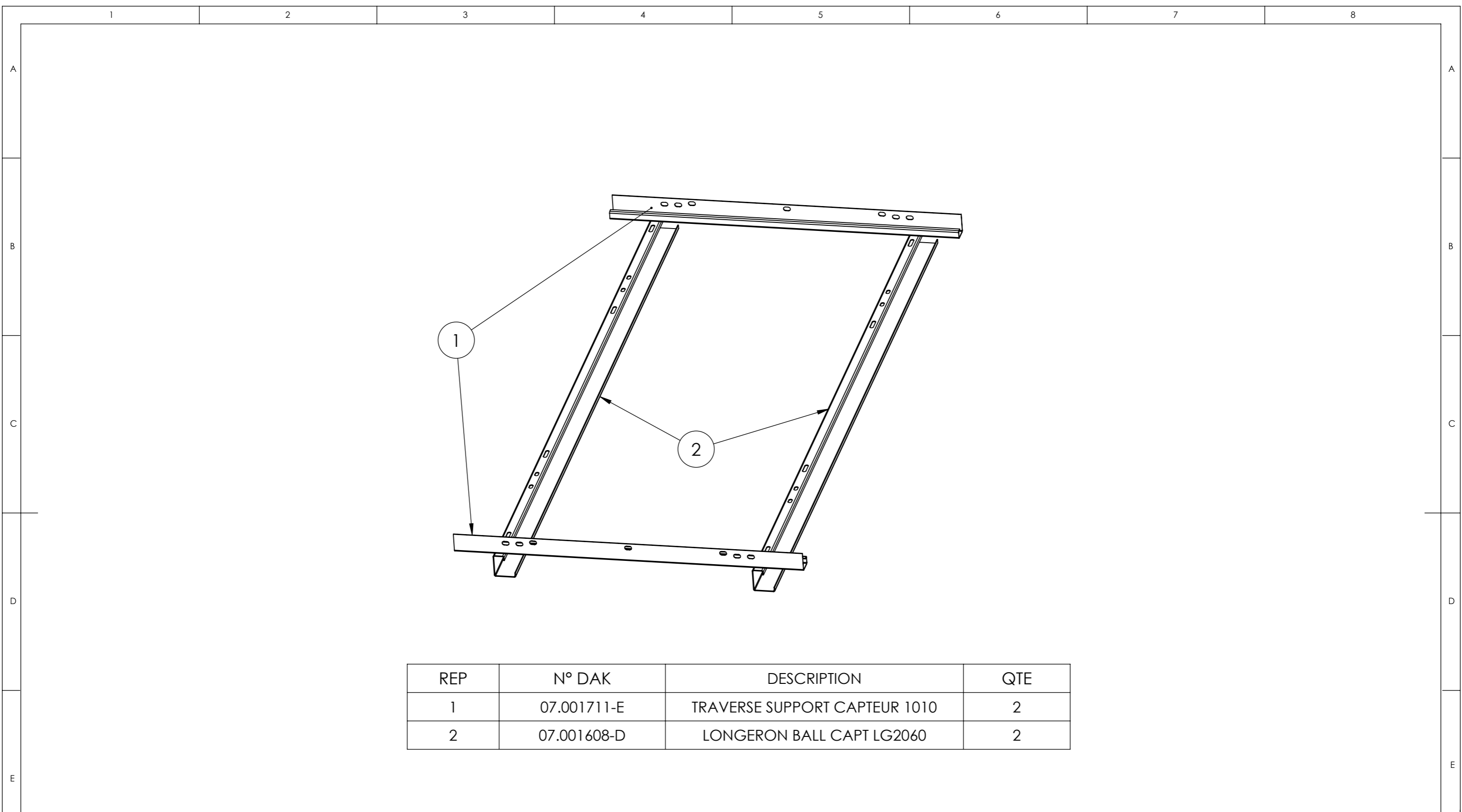
WEIGHT : 47 Kg NAME : CESC 001-20_V20 PT

NAME	DATE & SIGNATURE
DESIGNER J.BRIARD	
CHECKER F.MYKIETA	
METHODS F.MYKIETA	

SCALE : 1:15
 SIZE : A3
 CREATION DATE : 11/05/2021

N° DAK INDUSTRIES REVISION : **07.002846 - D**
 STATUS : STANDARD

PAGE: 1/1



REP	N° DAK	DESCRIPTION	QTE
1	07.001711-E	TRAVERSE SUPPORT CAPTEUR 1010	2
2	07.001608-D	LONGERON BALL CAPT LG2060	2

REVISIONS		
REV	DESCRIPTION	DATE
D	07.001608-D était 07.001608-C	11/06/2021

DAK INDUSTRIES

Informations contained in this drawing are the sole properties of DAK INDUSTRIES. Reproduction in part or whole without the written permission is prohibited.

LINEAR DIMENSIONS ARE IN MILLIMETERS. ANGULAR DIMENSIONS ARE IN DEGREES. GENERAL TOLERANCES ACCORDING TO:

-

MATERIAL :
-

FINISH :
-

WEIGHT : 15 Kg

NAME	DATE & SIGNATURE
DESIGNER J.BRIARD	
CHECKER F.MYKIETA	
METHODS F.MYKIETA	

SCALE : 1:10

SIZE : A3

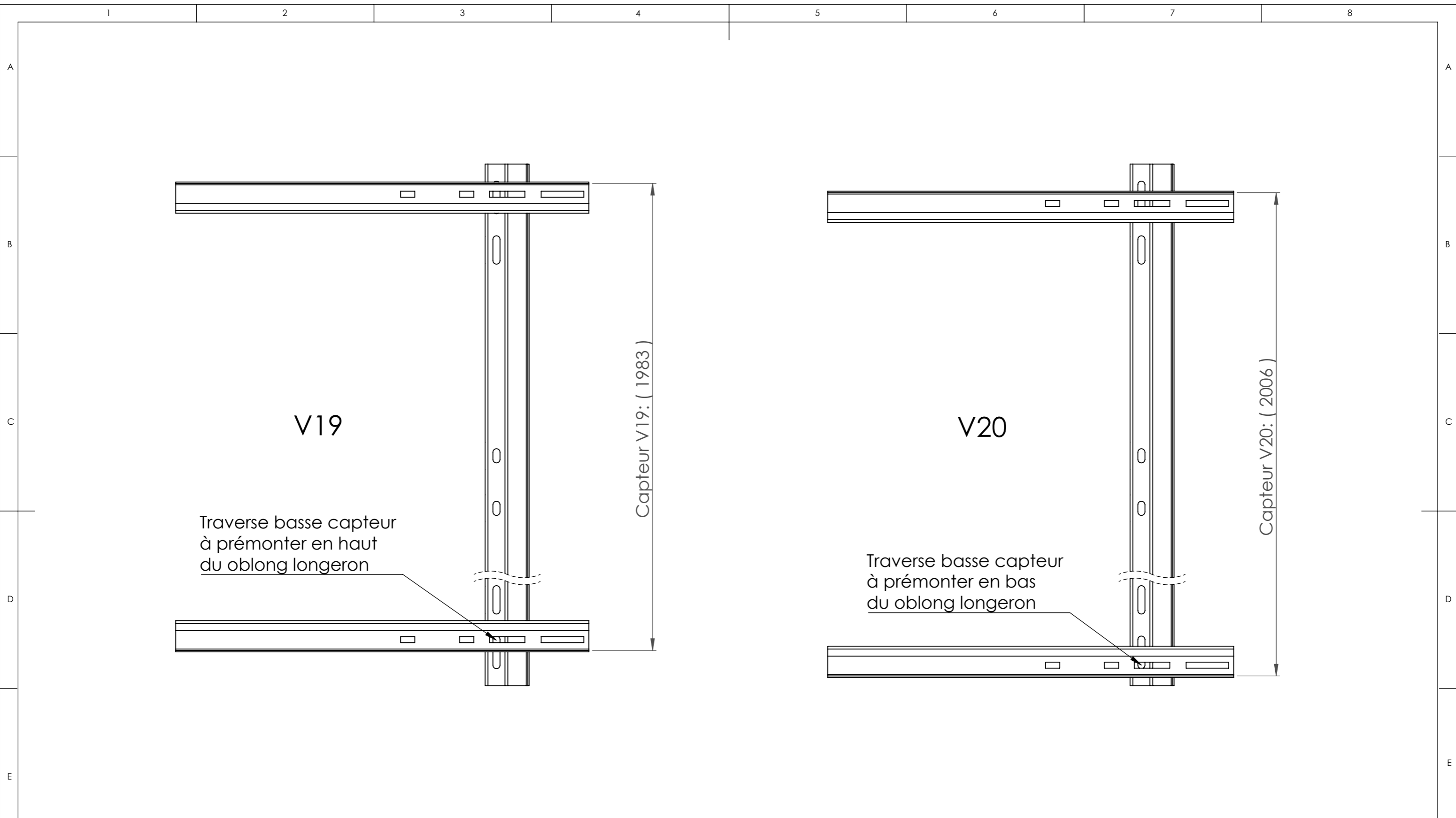
CREATION DATE : 10/05/2021

N° DAK INDUSTRIES REVISION : **07.002833 - D**

STATUS : STANDARD

NAME : KIT PT 001-20_V19/V20 - 001-25_V20

PAGE: 1/3



REVISIONS		
REV	DESCRIPTION	DATE
D	Voir page 1	11/06/2021

DAK INDUSTRIES

Informations contained in this drawing are the sole properties of DAK INDUSTRIES. Reproduction in part or whole without the written permission is prohibited.

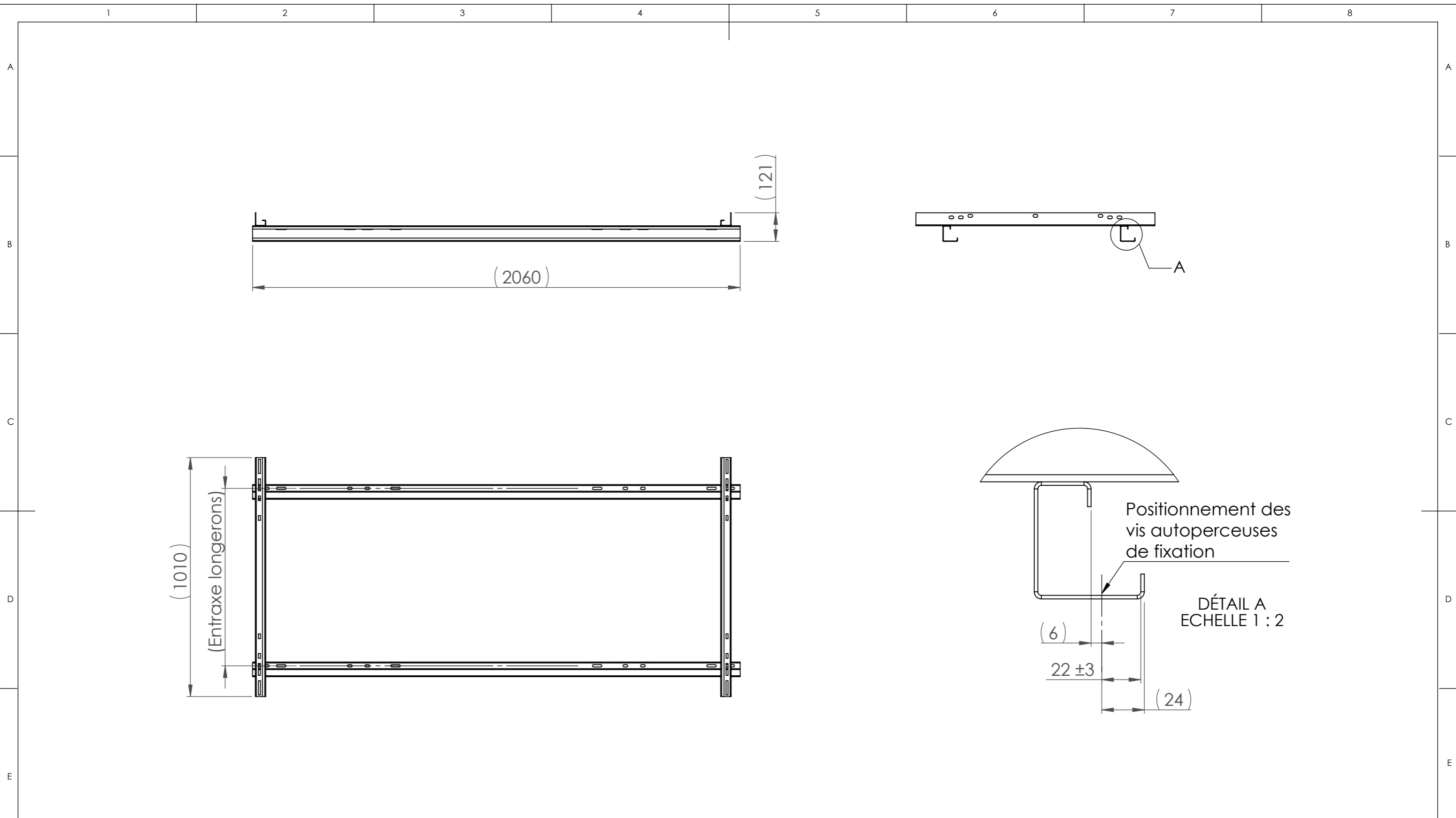
LINEAR DIMENSIONS ARE IN MILLIMETERS.
ANGULAR DIMENSIONS ARE IN DEGREES.
GENERAL TOLERANCES ACCORDING TO:
-

MATERIAL :
-

FINISH :
-

WEIGHT : 15 Kg

NAME	DATE & SIGNATURE
DESIGNER J.BRIARD	
CHECKER F.MYKIETA	
METHODS F.MYKIETA	
SCALE : 1:5	N° DAK INDUSTRIES REVISION : 07.002833 - D
SIZE : A3	
CREATION DATE : 10/05/2021	STATUS : STANDARD
NAME : KIT PT 001-20_V19/V20 - 001-25_V20	PAGE: 2/3



REVISIONS		
REV	DESCRIPTION	DATE
D	Voir page 1	11/06/2021

DAK INDUSTRIES

Informations contained in this drawing are the sole properties of DAK INDUSTRIES. Reproduction in part or whole without the written permission is prohibited.

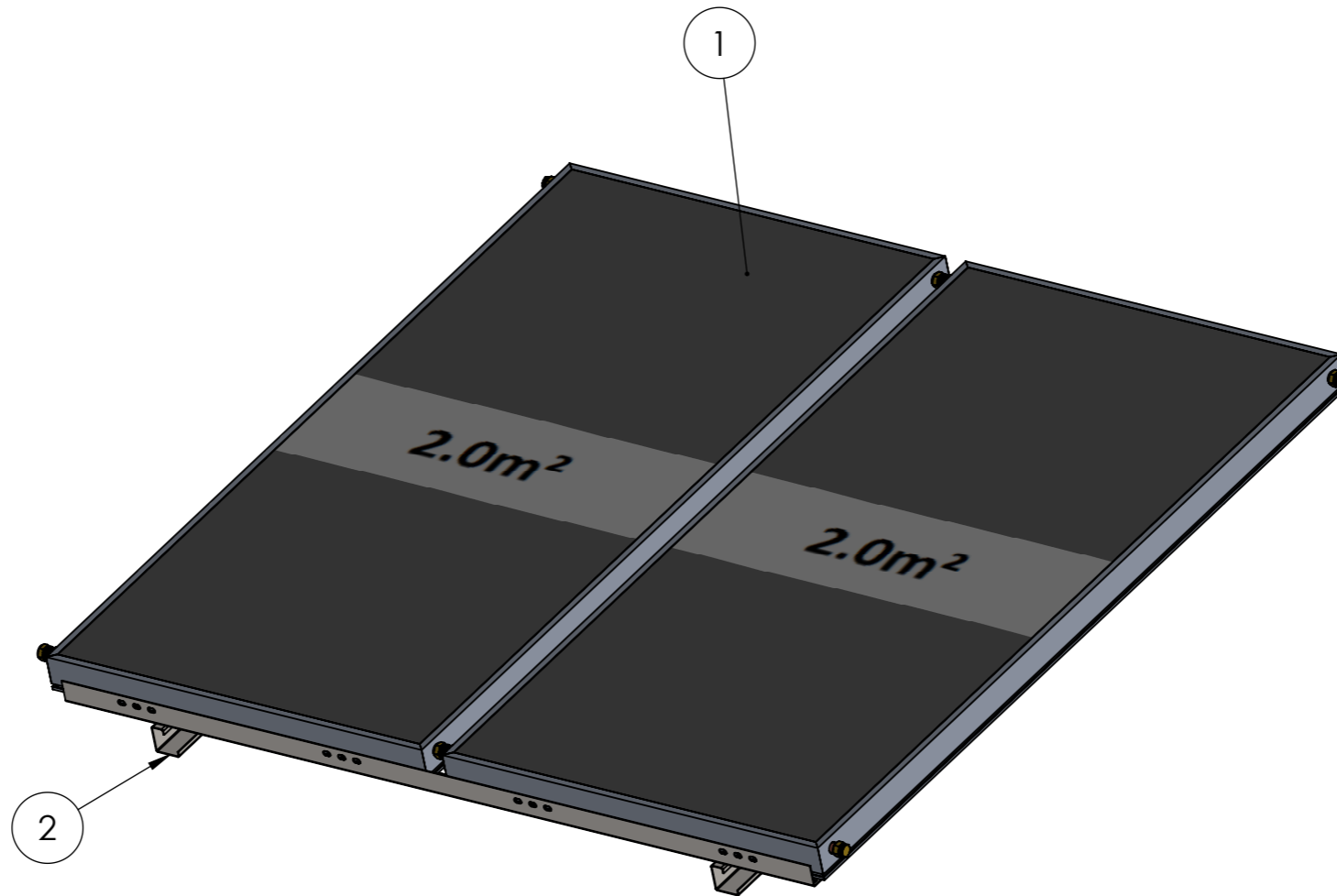
LINEAR DIMENSIONS ARE IN MILLIMETERS.
ANGULAR DIMENSIONS ARE IN DEGREES.
GENERAL TOLERANCES ACCORDING TO:
-

MATERIAL :
-

FINISH :
-

WEIGHT : 15 Kg

DESIGNER	NAME	DATE & SIGNATURE
J.BRIARD	J.BRIARD	
F.MYKIETA	F.MYKIETA	
F.MYKIETA	F.MYKIETA	
SCALE : 1:15		N° DAK INDUSTRIES REVISION : 07.002833 - D
SIZE : A3		
CREATION DATE : 10/05/2021		STATUS : STANDARD
NAME : KIT PT 001-20_V19/V20 - 001-25_V20		PAGE: 3/3



REP	N° DAK	DESCRIPTION	QTE
1	07.002829-C	KIT CAPTEUR 002-20_V20	1
2	07.002834-C	KIT PT 002-20_V20	1

REVISIONS		
REV	DESCRIPTION	DATE
		xx/xx/20xx



Informations contained in this drawing are the sole properties of DAK INDUSTRIES. Reproduction in part or whole without the written permission is prohibited.

LINEAR DIMENSIONS ARE IN MILLIMETERS.
ANGULAR DIMENSIONS ARE IN DEGREES.
GENERAL TOLERANCES ACCORDING TO:

MATERIAL :

-

FINISH :

-

	NAME	DATE & SIGNATURE
DESIGNER	J.BRIARD	
CHECKER	F.MYKIETA	
METHODS	F.MYKIETA	

SCALE : 1:15
SIZE : A3
CREATION DATE : 27/05/2021

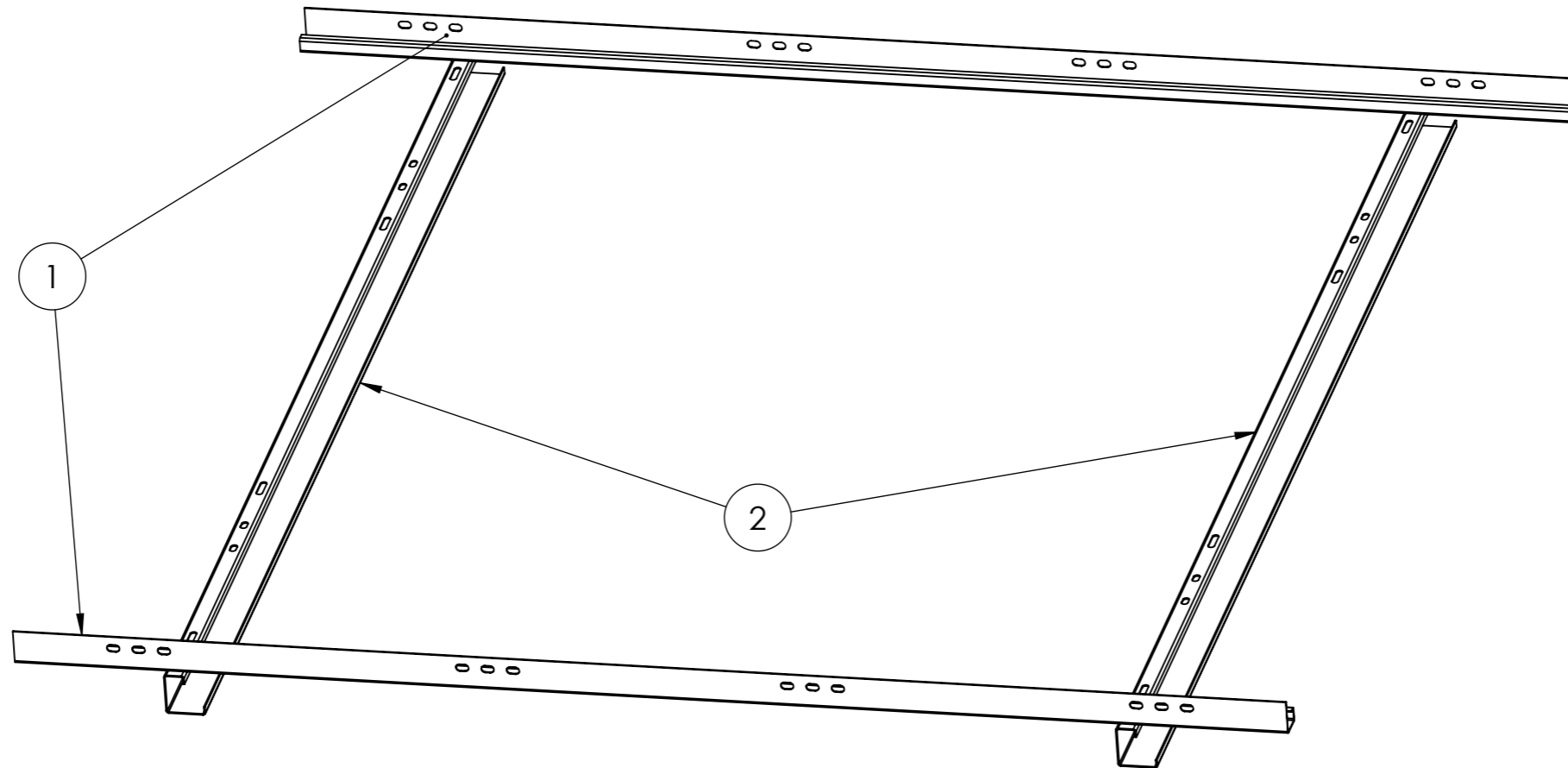


N° DAK INDUSTRIES REVISION :
07.002848 - C
STATUS : STANDARD

WEIGHT : 83 Kg

NAME : CESC 002-20_V20 PT

PAGE: 1/1



REP	N° DAK	DESCRIPTION	QTE
1	07.002247-C	TRAVERSE SUPPORT CAPTEUR 2006	2
2	07.001608-D	LONGERON BALL CAPT LG2060	2

REVISIONS		
REV	DESCRIPTION	DATE
		xx/xx/20xx

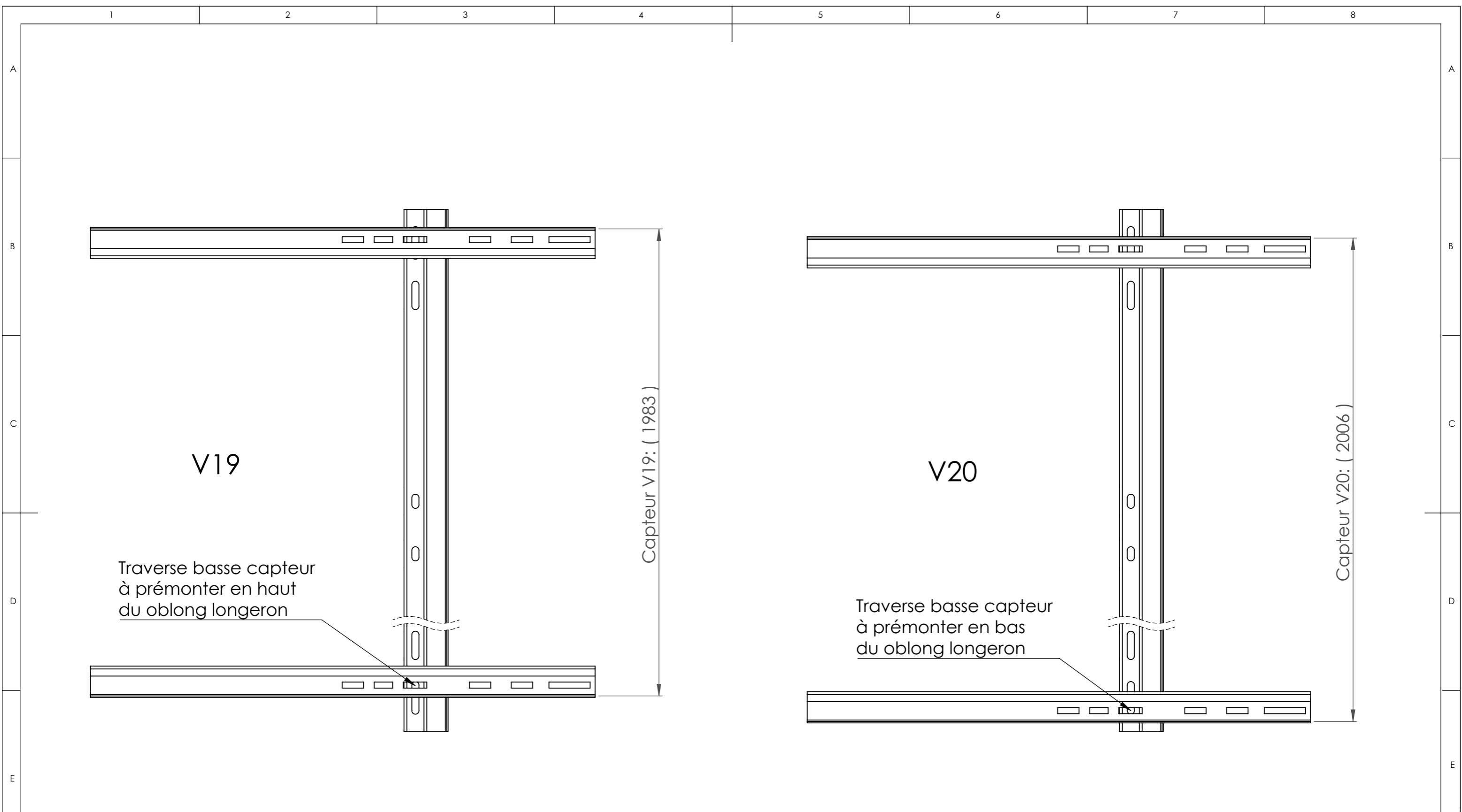


Informations contained in this drawing are the sole properties of DAK INDUSTRIES. Reproduction in part or whole without the written permission is prohibited.

LINEAR DIMENSIONS ARE IN MILLIMETERS.
ANGULAR DIMENSIONS ARE IN DEGREES.
GENERAL TOLERANCES ACCORDING TO:
-

MATERIAL :
-
FINISH :
-
WEIGHT : 19 Kg
NAME : KIT PT 002-20_V20

		NAME	DATE & SIGNATURE
DESIGNER	J.BRIARD		
CHECKER	F.MYKIETA		
METHODS	F.MYKIETA		
SCALE : 1:10		N° DAK INDUSTRIES	REVISION :
SIZE : A3		07.002834 - C	
CREATION DATE : 25/05/2021		STATUS : STANDARD	
			PAGE: 1/3



REVISIONS		
REV	DESCRIPTION	DATE
		xx/xx/20xx

DAK INDUSTRIES

Informations contained in this drawing are the sole properties of DAK INDUSTRIES. Reproduction in part or whole without the written permission is prohibited.


LINEAR DIMENSIONS ARE IN MILLIMETERS.
ANGULAR DIMENSIONS ARE IN DEGREES.
GENERAL TOLERANCES ACCORDING TO:
-

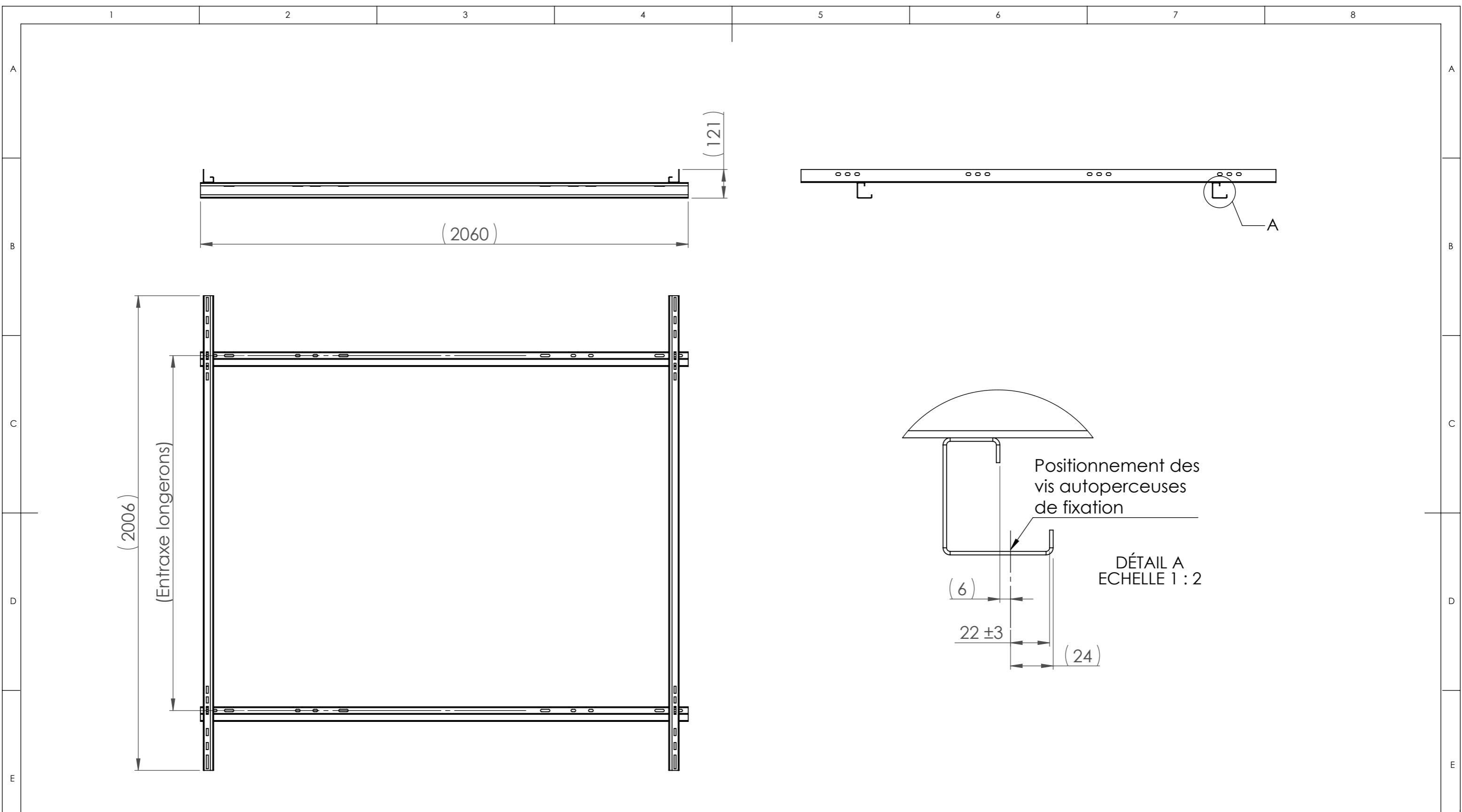
MATERIAL :
-

FINISH :
-

WEIGHT : 19 Kg

NAME : KIT PT 002-20_V20

DESIGNER	NAME	DATE & SIGNATURE
J.BRIARD		
F.MYKIETA		
F.MYKIETA		
SCALE : 1:5		N° DAK INDUSTRIES REVISION : 07.002834 - C
SIZE : A3 		
CREATION DATE : 25/05/2021		STATUS : STANDARD
PAGE: 2/3		



REVISIONS		
REV	DESCRIPTION	DATE
		xx/xx/20xx

DAK INDUSTRIES

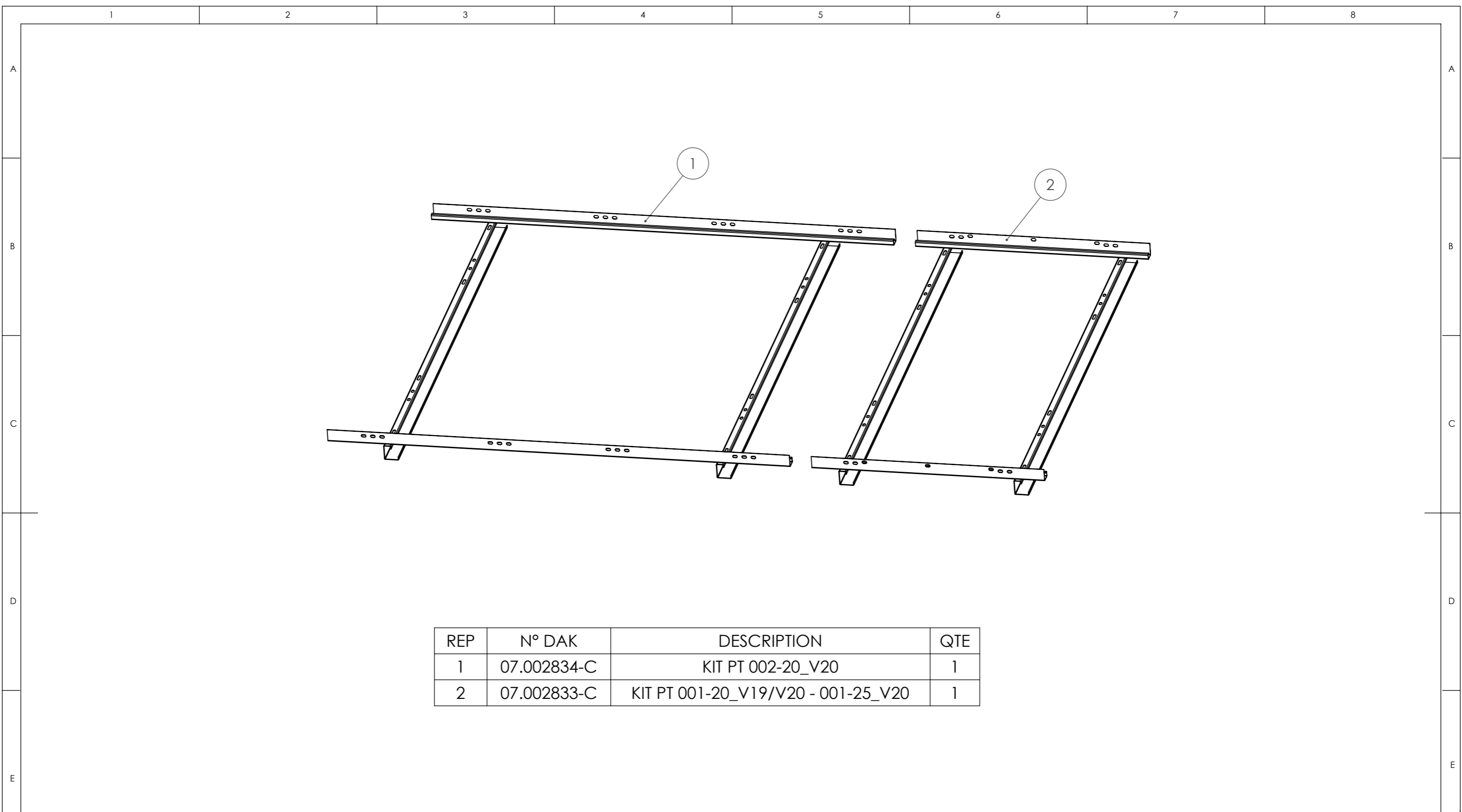
Informations contained in this drawing are the sole properties of DAK INDUSTRIES. Reproduction in part or whole without the written permission is prohibited.

LINEAR DIMENSIONS ARE IN MILLIMETERS. ANGULAR DIMENSIONS ARE IN DEGREES. GENERAL TOLERANCES ACCORDING TO:

MATERIAL : - FINISH : -

WEIGHT : 19 Kg NAME : KIT PT 002-20_V20

NAME	DATE & SIGNATURE
DESIGNER J.BRIARD	
CHECKER F.MYKIETA	
METHODS F.MYKIETA	
SCALE : 1:15 SIZE : A3 CREATION DATE : 25/05/2021	N° DAK INDUSTRIES REVISION : 07.002834 - C STATUS : STANDARD
	PAGE: 3/3



REP	N° DAK	DESCRIPTION	QTE
1	07.002834-C	KIT PT 002-20_V20	1
2	07.002833-C	KIT PT 001-20_V19/V20 - 001-25_V20	1

REVISIONS		
REV	DESCRIPTION	DATE
		xx/xx/20xx

DAK INDUSTRIES

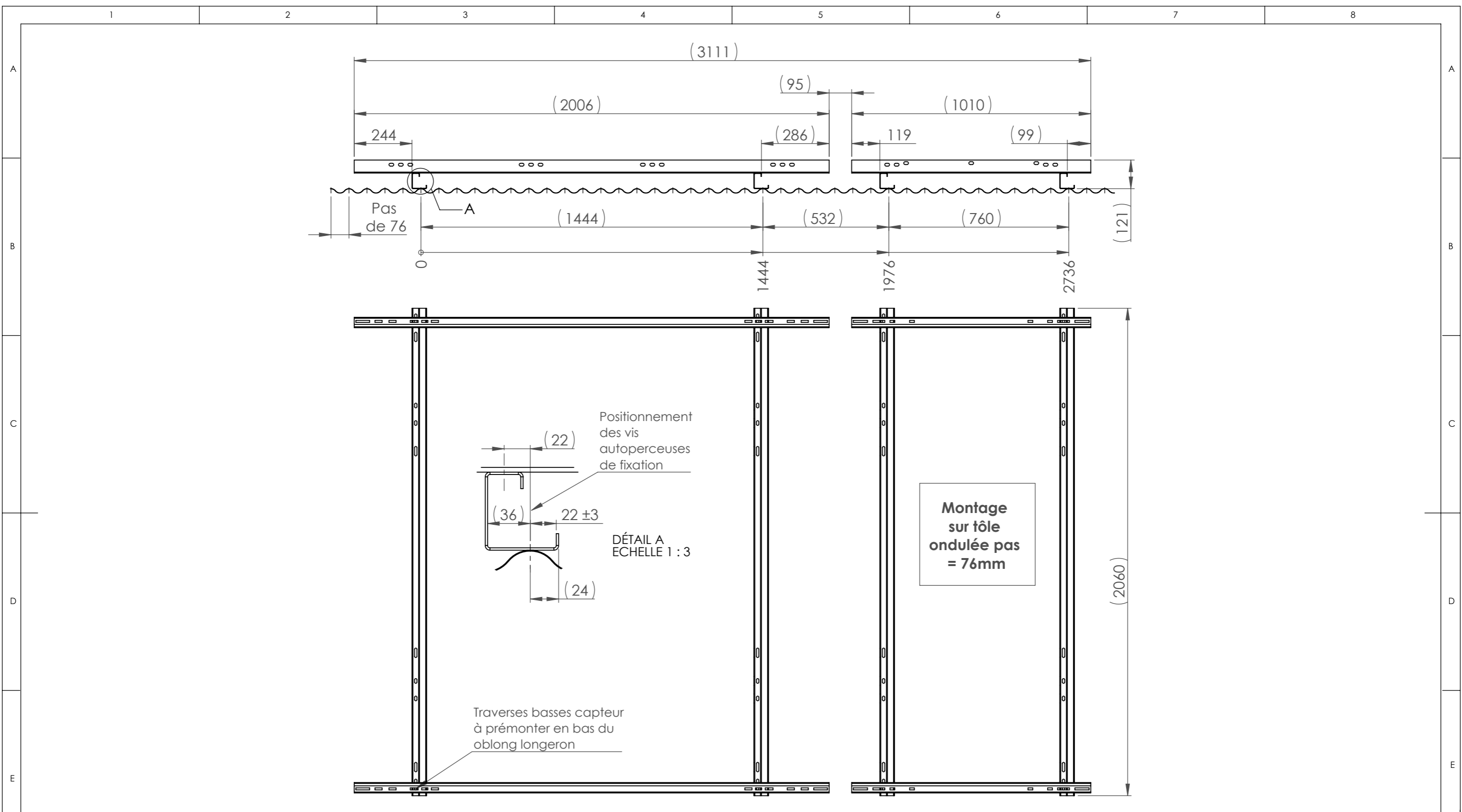
Informations contained in this drawing are the sole properties of DAK INDUSTRIES. Reproduction in part or whole without the written permission is prohibited.

LINEAR DIMENSIONS ARE IN MILLIMETERS. ANGULAR DIMENSIONS ARE IN DEGREES. GENERAL TOLERANCES ACCORDING TO:

MATERIAL : - FINISH : -

WEIGHT : 34 Kg NAME : KIT 003-20_V20 PT

NAME	DATE & SIGNATURE
DESIGNER J.BRIARD	
CHECKER F.MYKIETA	
METHODS A.CHAN	
SCALE : 1:15 SIZE : A3 CREATION DATE : 03/02/2022	N° DAK INDUSTRIES REVISION : 07.002840 - C STATUS : STANDARD
	PAGE: 1/3



REVISIONS		
REV	DESCRIPTION	DATE
		xx/xx/20xx

DAK INDUSTRIES

Informations contained in this drawing are the sole properties of DAK INDUSTRIES. Reproduction in part or whole without the written permission is prohibited.

LINEAR DIMENSIONS ARE IN MILLIMETERS. ANGULAR DIMENSIONS ARE IN DEGREES. GENERAL TOLERANCES ACCORDING TO: ±5mm

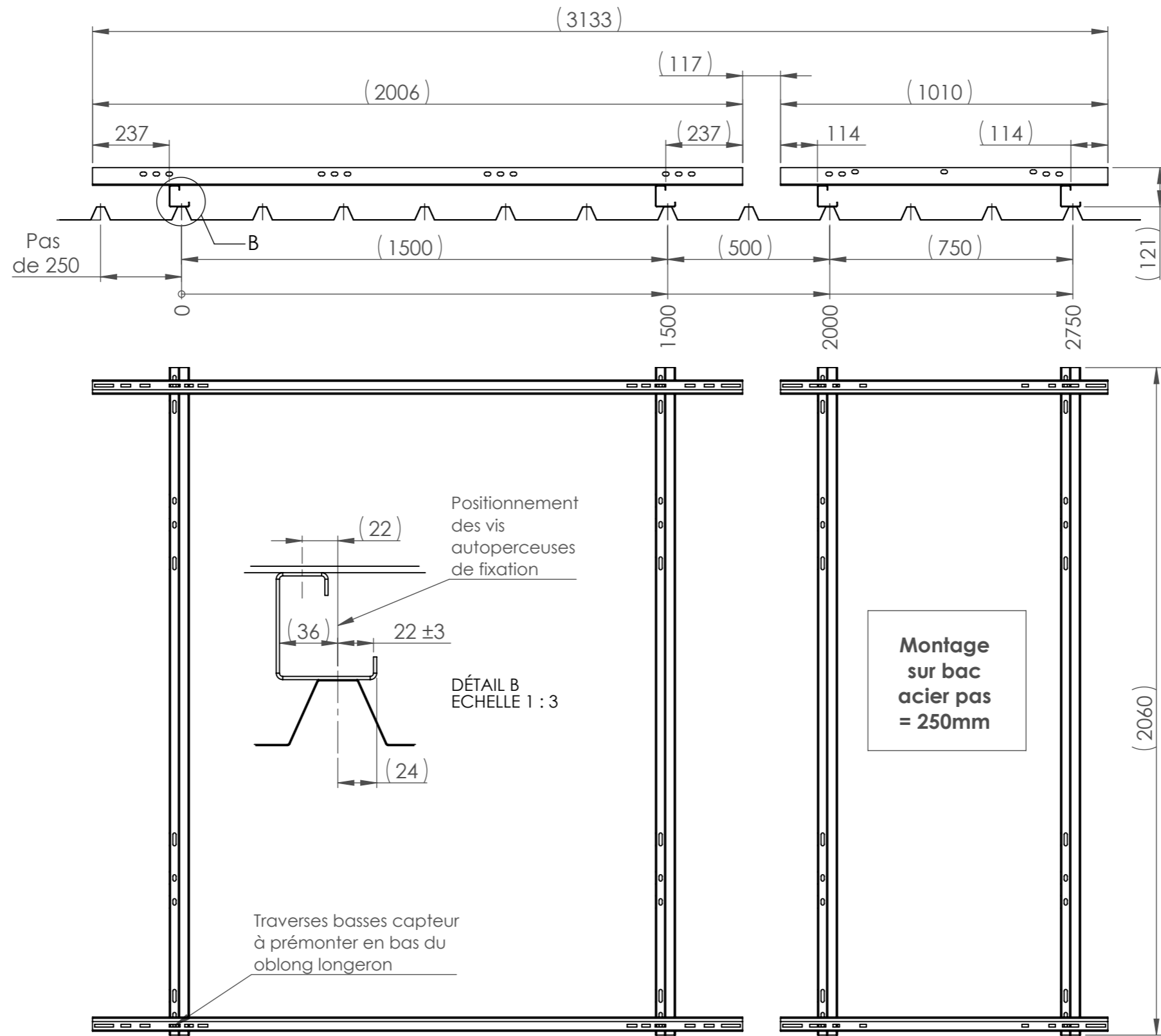
MATERIAL :
-

FINISH :
-

WEIGHT : 34 Kg

NAME : KIT 003-20_V20 PT

NAME		DATE & SIGNATURE	
DESIGNER	J.BRIARD		
CHECKER	F.MYKIETA		
METHODS	A.CHAN		
SCALE : 1:15		N° DAK INDUSTRIES REVISION :	
SIZE : A3		07.002840 - C	
CREATION DATE : 03/02/2022		STATUS : STANDARD	
			PAGE: 2/3



REVISIONS		
REV	DESCRIPTION	DATE
		xx/xx/20xx



Informations contained in this drawing are the sole properties of DAK INDUSTRIES. Reproduction in part or whole without the written permission is prohibited.

LINEAR DIMENSIONS ARE IN MILLIMETERS. ANGULAR DIMENSIONS ARE IN DEGREES. GENERAL TOLERANCES ACCORDING TO: ±5mm

MATERIAL :	FINISH :
-	-
WEIGHT : 34 Kg	NAME : KIT 003-20_V20 PT

NAME	DATE & SIGNATURE
DESIGNER J.BRIARD	
CHECKER F.MYKIETA	
METHODS A.CHAN	
SCALE : 1:15	N° DAK INDUSTRIES REVISION :
SIZE : A3	07.002840 - C
CREATION DATE : 03/02/2022	STATUS : STANDARD
	PAGE: 3/3